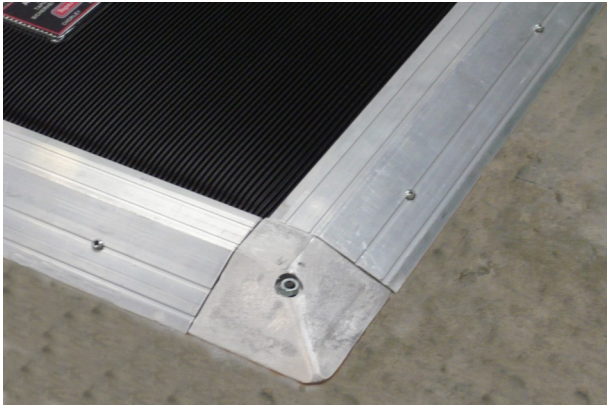


AE-13 Mat Edging

Information Sheet

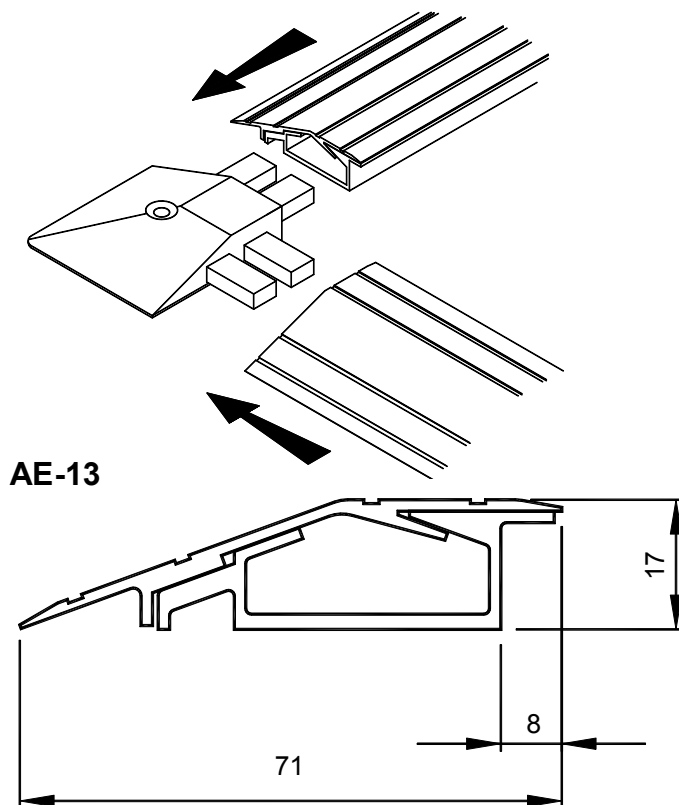


Features

- Fixes mat in position.
- Hides & protects cables.
- Helps prevent trip hazards.
- Quick & easy installation.
- Supplied custom built.

AE-13 aluminium mat edging is used to fix safety mats in position. This specially designed edging comprises of 2 parts; a base and a cover. The cover provides a 20 degree ramp to help prevent trip hazards at the outer sensor edges. The base can accommodate sensor wiring, protecting the cables from damage and acting as a conduit to route the cables to the control box. AE-C corner pieces have been designed to provide quick and easy installation of the AE-13 edging.

Dimensions



AE-C

