

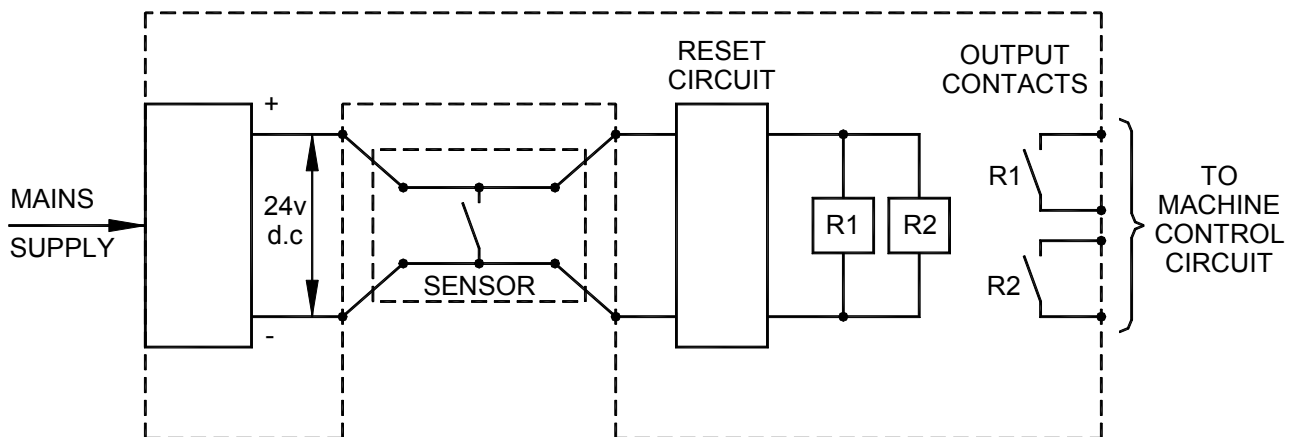


## Features

- Complete fail-safe system
- EN-13849 -1:2008
- Variety of enclosure styles
- Choice of input controls

Tapeswitch control units act as an interface between the Tapeswitch sensor and the end-user device (machine and/or process control). They can be specifically engineered to meet the customer's requirements based on the type of application and environment.

## Fail-safe wiring principle



## Technical Specification

	Type	Safety Standard	Supply Voltage	Mounting Option	Reset Mode	Output Contacts
PRSU/4	Safety	EN13489-PLd	24Vdc	DIN Rail	Manual/auto	3xN/O, 2A@240V
PSSR-2	Safety	EN13489-PLd	24Vdc	DIN Rail	Manual/auto	2xN/O, 1xN/C 5A@240Vac
PSSU/1	Safety	EN13489-PLd	110/230Vac	DIN Rail	Manual	2xN/O, 2A@240V
PSSU/3	Safety	EN13489-PLd	110/230Vac	Surface Mounted	Manual	2xN/O, 2A@240V
PSSU/2	Safety	EN13489-PLd	24Vdc	DIN Rail	Manual	2xN/O, 2A@240V
PSSW	Safety	EN13849-PLc	12/24Vdc + 3Vdc	Surface Mounted		
SRUS	Safety	EN13489-PLe	24V d.c.	DIN Rail	Manual/auto	3xN/O, 6A@240V d.c.