



Tapeswitch Control Units

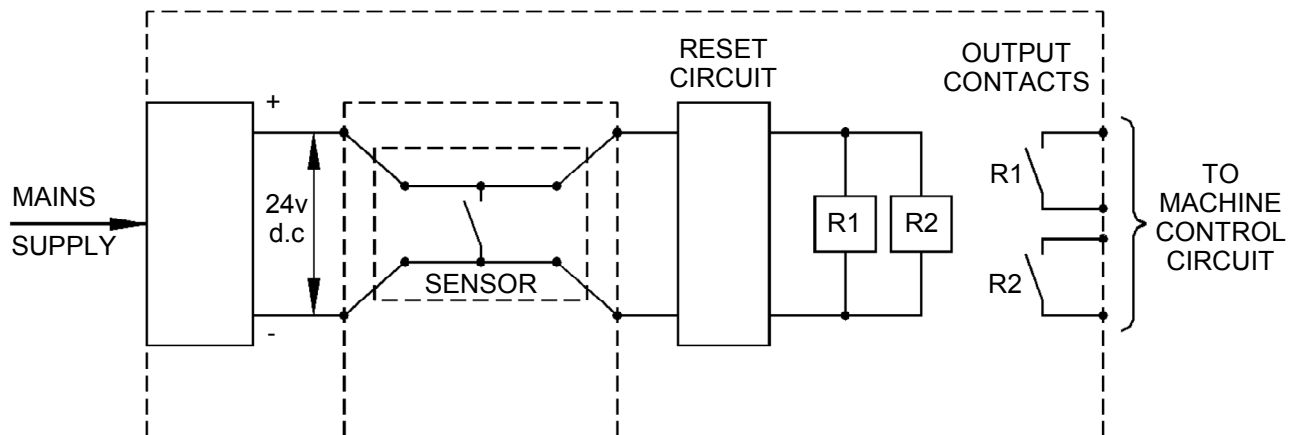


Features

- Complete fail-safe system
- EN-13849
- Variety of enclosure styles
- Choice of input controls

Tapeswitch control units act as an interface between the Tapeswitch sensor and the end-user device (machine and/or process control). They can be specifically engineered to meet the customer's requirements based on the type of application and environment.

Fail-safe wiring principle



Technical Specification

	Type	Safety Standard	Supply Voltage	Mounting Option	Reset Mode	Output Contacts
PRSU/4	Safety	EN13489-PLd	24Vdc	DIN Rail	Manual/auto	3xN/O, 2A@240V
PSSR-2	Safety	EN13489-PLd	24Vdc	DIN Rail	Manual/auto	2xN/O, 1xN/C 5A@240Vac
PSSU/1	Safety	EN13489-PLd	110/230Vac	DIN Rail	Manual	2xN/O, 2A@240V
PSSU/3	Safety	EN13489-PLd	110/230Vac	Surface Mounted	Manual	2xN/O, 2A@240V
PSSU/2	Safety	EN13489-PLd	24Vdc	DIN Rail	Manual	2xN/O, 2A@240V
PSSW	Safety	EN13849-PLc	12/24Vdc + 3Vdc	Surface Mounted	See Individual	Information Sheet
SRUS	Safety	EN13489-PLe	24V d.c.	DIN Rail	Manual/auto	3xN/O, 6A@240V d.c.

GB0318

Tapeswitch Ltd

Unit 38 Drumhead Road Chorley North Industrial Park Lancashire England PR6 7BX

Tel: Int +44 (0) 1257 249777 Fax: Int +44 (0) 1257 246600 E-Mail: info@tapeswitch.co.uk