



## Features

- Custom sizes
- Non-corrosive aluminium & PVC construction
- Fail-safe wiring available
- Easy installation
- IP67 rated
- Aluminium end plates

The TFS Foot Switch is a highly visible, durable and reliable switch which is used in many applications such as foot switches for presses and production lines.

The product consists of a Tapeswitch ribbon switch sealed inside a PVC co-extrusion, which is then housed in a ramped edged aluminium channel.

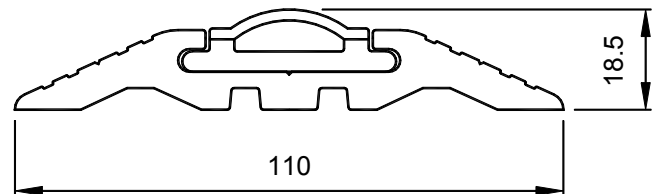
The TFS can be fixed in position by simply drilling through the ramped edges and using fixing bolts to the floor. Aluminium endplates are used to secure the foot switch to the ground and to protect the cable exit. When specifying the length of your TFS, please ensure that you allow 120 mm for the endplates.

The versatility of Tapeswitch based products means that this type of switch can be used in other applications such as vehicle counting, traffic control and private road security.

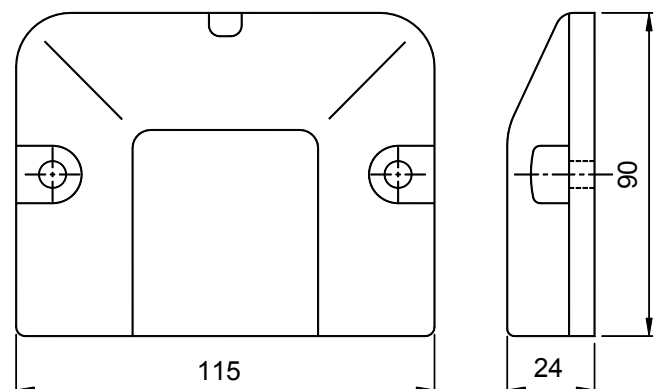
## Technical Specification

Sensor colour	Yellow
Material:	
Top surface	Extruded PVC, UV stablized
Bottom section	Extruded aluminium
Endplate	Aluminium casting
Recommended voltage	5V to 24V ac or dc
Max current	1.0A ac or dc
Environment	IP67
Chemical/Moisture resistance	Excellent resistance to water, mild acids and bases, alcohols and many solvents
Actuation force	9kg (88N) nominal

## Dimensions



## End Plate View



## Typical Applications

- Presses
- Production lines
- Grinding & polishing wheels